

BJB-C-S/D-S/E-S

Displacement Transducer

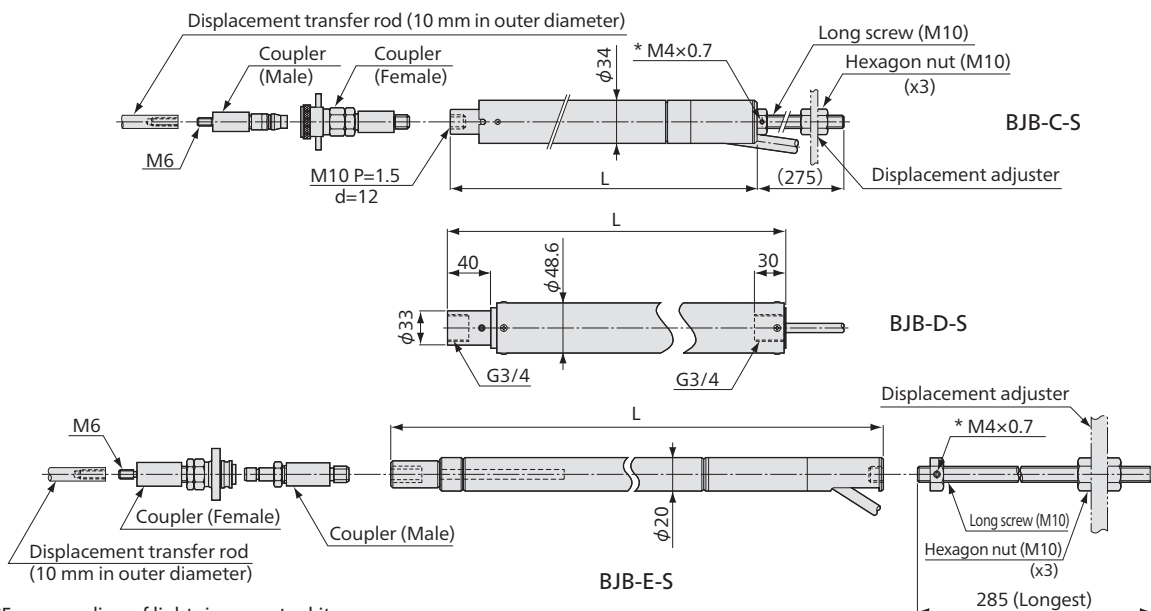


3 models are available for selection of the most suitable one.

- BJB-C-S series is suitable for ordinary measurement of rock-bed displacement.
- BJB-D-S series is available with high rated capacities and is suitable for measurement of the settlement of soft ground.
- Slender BJB-E-S series is suitable for embedment in a boring and for rock-bed displacement measurement in NATM.

The BJB-C-S, BJB-D-S and BJB-E-S series displacement transducers are used as detectors for measurement of rock-bed displacement and ground settlement. Varieties of models are available for selection of the most suitable one based on the measuring range, dimensions and field situations.

■ Dimensions



*For grounding of lightning arrester kit.

●Displacement Measurement ●50 to 2000 mm

Specifications

Performance

Rated Capacity	See table below.
Nonlinearity	Within $\pm 2\%$ RO
Hysteresis	Within $\pm 1\%$ RO
Rated Output	Approx. 1 mV/V

Environmental Characteristics

Safe Temperature	-20 to 70°C
Compensated Temperature	-10 to 60°C
Temperature Effect on Zero	Within $\pm 0.1\%$ RO/°C
Temperature Effect on Output	Within $\pm 0.1\%$ /°C

Electrical Characteristics

Recommended Excitation	10 V AC or DC
Input Resistance	350 Ω $\pm 2\%$
Output Resistance	350 Ω $\pm 2\%$

Cable 4-conductor (0.5 mm²) chloroprene cable, bared at the tip

Models	Diameters (mm)	Cable Length (m)
BJB-C-S	11.5	1
BJB-D-S	11.5	2
BJB-E-S	8	1

Mechanical Properties

Safe Overloads	120% (110% with BJB-D-S)
Measuring Force	Approx. 150 N or more

*Various mounting fixtures extend the application range. For details, contact a Kyowa sales representative.

*For ordinary displacements, see pages 2-149 to 2-163.

Models	Rated Capacity	L (mm)	Remarks
BJB-C-100S	100 mm	455	With coupler
BJB-C-200S	200 mm	640	
BJB-D-500S	500 mm	1144	Used as detector of SVC, SVM, SDD
BJB-D-1KS	1000 mm	1859	
BJB-D-2KS	2000 mm	3289	
BJB-E-50S	50 mm	417	With coupler
BJB-E-100S	100 mm	416	

■ Installation Example

