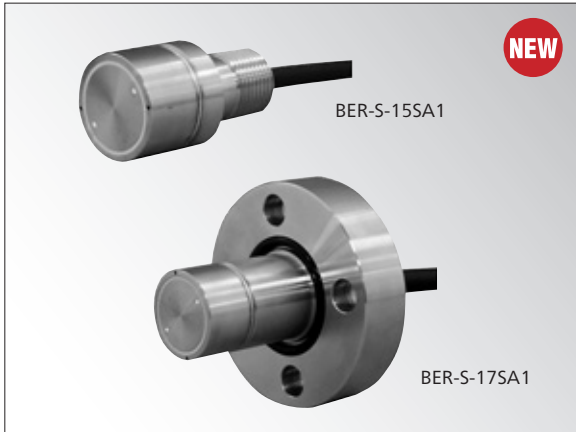


BER-S-15SA1/17SA1

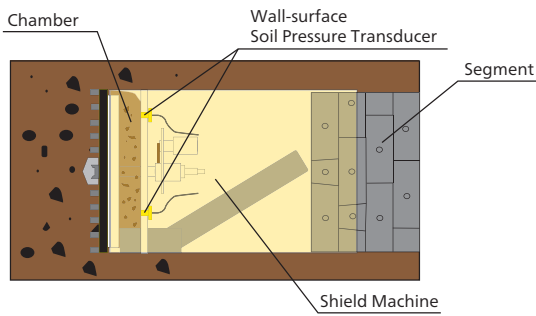
Wall-surface Soil Pressure Transducer



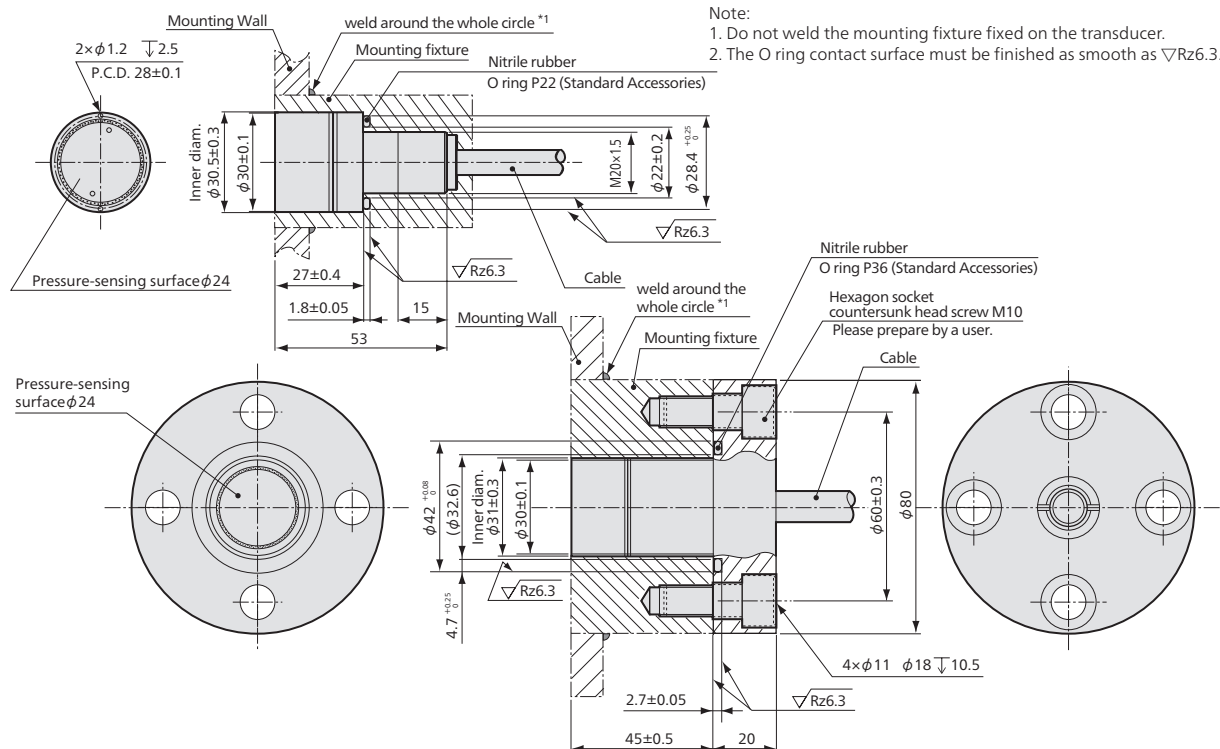
With a stopper, enables to support overload of 1000%

- Outstanding 1000% overload
- Regular capacity models are available
- Support of 1000% overload against eccentric loads (With a stopper)

Application Example



Dimensions



Specifications

- Pressure Measurement
- 500 kPa to 3 MPa

Performance

| | |
|----------------|------------------|
| Rated Capacity | See table below. |
| Nonlinearity | Within ±2% RO |
| Hysteresis | Within ±2% RO |
| Rated Output | Approx. 1.5 mV/V |

Environmental Characteristics

| | |
|------------------------------|--------------------|
| Safe Temperature | -30 to 80°C |
| Compensated Temperature | 0 to 70°C |
| Temperature Effect on Zero | Within ±0.1% RO/°C |
| Temperature Effect on Output | Within ±0.1%/°C |

Electrical Characteristics

| | |
|------------------------|---|
| Safe Excitation | 12 V AC or DC |
| Recommended Excitation | 1 to 10 V AC or DC |
| Input Resistance | 350 Ω ±2% |
| Output Resistance | 350 Ω ±2% |
| Cable | 4-conductor (0.3 mm ² for 15SA1, 0.5 mm ² for 17SA1) chloroprene shielded cable, 8 mm (17SA1: 10 mm) diameter by 30 m long, bared at the tip (Shield is not connected to the case.) |

Mechanical Properties

| | |
|---------------------------------|--|
| Safe Overloads | 1000% soil pressure (Powdered & pore pressure) And the pore pressure (Liquid & gas pressure) is 3 MPa. |
| Material | Stainless steel metallic finish |
| Water Resistance (Cable outlet) | 600 kPa |
| Weight | 150 g (15SA1, excluding cable) 800 g (17SA1, excluding cable) |

| Models | Rated Capacity | Calculated Loads |
|------------------|----------------|------------------|
| BER-S-500KP15SA1 | 500 kPa | 230 N |
| BER-S-1MP15SA1 | 1 MPa | 460 N |
| BER-S-2MP15SA1 | 2 MPa | 910 N |
| BER-S-3MP15SA1 | 3 MPa | 1360 N |
| BER-S-500KP17SA1 | 500 kPa | 236 N |
| BER-S-1MP17SA1 | 1 MPa | 460 N |
| BER-S-2MP17SA1 | 2 MPa | 910 N |
| BER-S-3MP17SA1 | 3 MPa | 1360 N |

*For pressure measurement of pulverulent bodies φ3 mm or less (Powdered & pore pressure)

